

# LED STREET LIGHTING

## LUMINAIRE

FALCON

SERIES



### APPLICATIONS

- Streets and Roads
- Parks and Car parks
- Residential Areas
- Industrial Areas

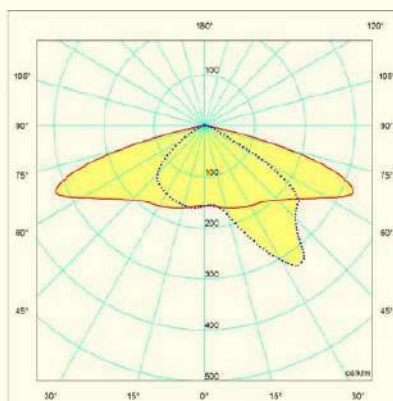
### FEATURES

- Road lighting complying with relevant standards and glare regulations
- Long life due to thermal design cooling block
- IP66 rating
- Entirely domestic manufacturing except for Led and drivers

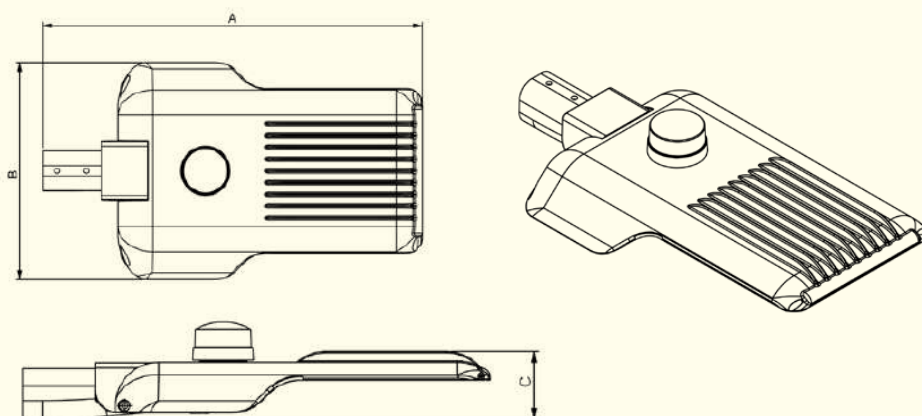
## SHARK LED ROAD LIGHTING LUMINAIRE

	350mA				530mA				700mA				1050mA				Color Temperature	CRI
	LED MODULE		LUMINAIRE		LED MODULE		LUMINAIRE		LED MODULE		LUMINAIRE		LED MODULE		LUMINAIRE			
12LED	13 W	2080 lm	15 W	1784 lm	19 W	2945 lm	21 W	2499 lm	25 W	3625 lm	27 W	3105 lm	37 W	4921 lm	40 W	4120 lm	3000 K 4000 K 5000 K 6000 K 6500 K	CRI > 70
24LED	26 W	5160 lm	29 W	3567 lm	38 W	5890 lm	42 W	4998 lm	50 W	7250 lm	54 W	6210 lm	74 W	9842 lm	80 W	8240 lm		
36LED	39 W	6240 lm	43 W	5290 lm	57 W	8835 lm	62 W	7440 lm	75 W	10875 lm	81 W	9315 lm	111 W	14765 lm	120 W	12360 lm		
48LED	52 W	8320 lm	58 W	7135 lm	76 W	11780 lm	83 W	9960 lm	100 W	14500 lm	108 W	12420 lm	148 W	19685 lm	160 W	16480 lm		

### LIGHT DISTRIBUTION CURVES



### DIMENSIONS



Kod	A (mm)	B (mm)	C (mm)
SHARK S	650	370	95