

# STREET LIGHTING

## LUMINAIRE

CS  
SERIES



### APPLICATIONS

- Highways
- Street and Roads
- Industrial Fields
- Residential Areas
- Parks
- Perimeter and Security Lighting
- Cross Roads
- Car Parks

### FEATURES

- Ergonomic Body
- Monoblock Anodized High Purity Aluminium Reflector
- Diffuser Part Open from Botton, Gear Part Open from Top System
- Removable Ballast Kit
- Tool Free Opening System

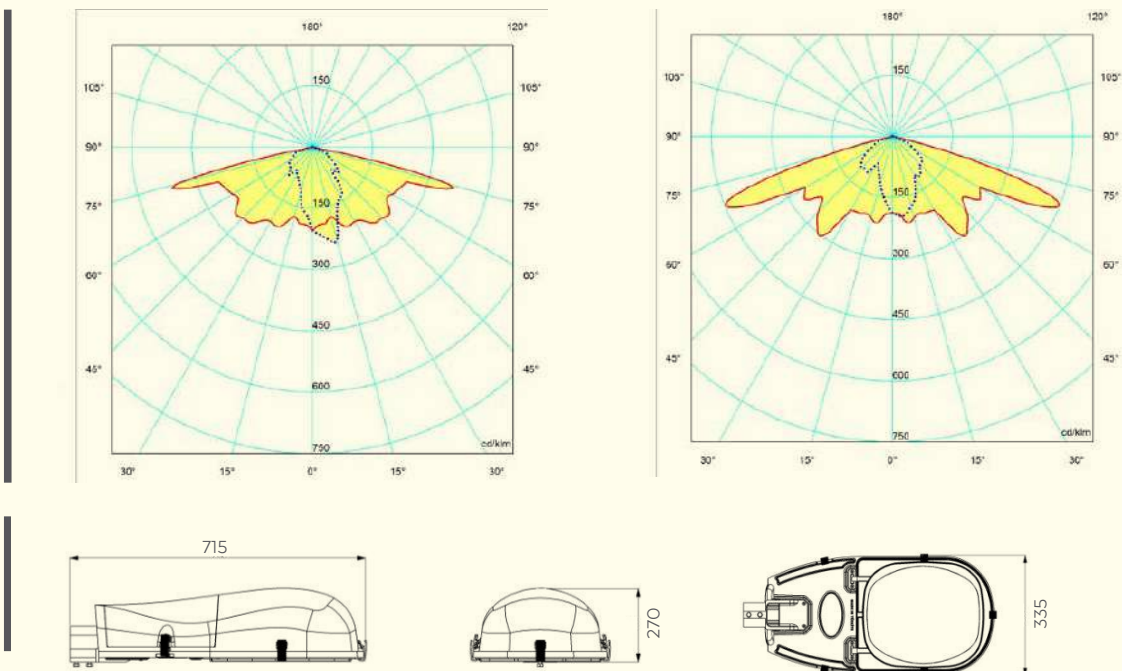




Power W	Lamp Type	Current A	Luminaire Lamp Type	Figure	a mm	b mm	c mm	Lamp Holder Type	Pole Mount Consale	Weight kg	Capacitor mf	IP	Quality Certificates
220 - 230V, 50Hz													
			CS E-40	1	715	335	270	E-40	φ42- φ60	7,800		65	TSE/CE
150	SV	1,80	CS 150	1	715	335	270	E-40	φ42- φ60	9,904	20	65	TSE/CE
210	SV	2,15	CS 210	1	715	335	270	E-40	φ42- φ60	10,204	20	65	TSE/CE
250	HG	2,15	CS 250	1	715	335	270	E-40	φ42- φ60	10,204	20	65	TSE/CE
250	SV	3,00	CS 250	1	715	335	270	E-40	φ42- φ60	10,930	32	65	TSE/CE
400	HG	3,15	CS 400	1	715	335	270	E-40	φ42- φ60	11,452	32	65	TSE/CE
400	MH	3,50	CS 400	1	715	335	270	E-40	φ42- φ60	11,653	35	65	TSE/CE
400	SV	4,60	CS 400	1	715	335	270	E-40	φ42- φ60	11,760	45	65	TSE/CE

Option : Flat Reflector  
 Seal Type : Resistant To Heat Silicon  
 Diffuser : Tempered Flat Glass  
 Power Factor : 0,95 - 1  
 Body Type : Polymer / GRP, IK 08, IK08  
 Box Dimension : 715mmx335mmx270mm

### LIGHT DISTRUBUTION CURVES



Minimum Order Quantity : 1,000 Pcs